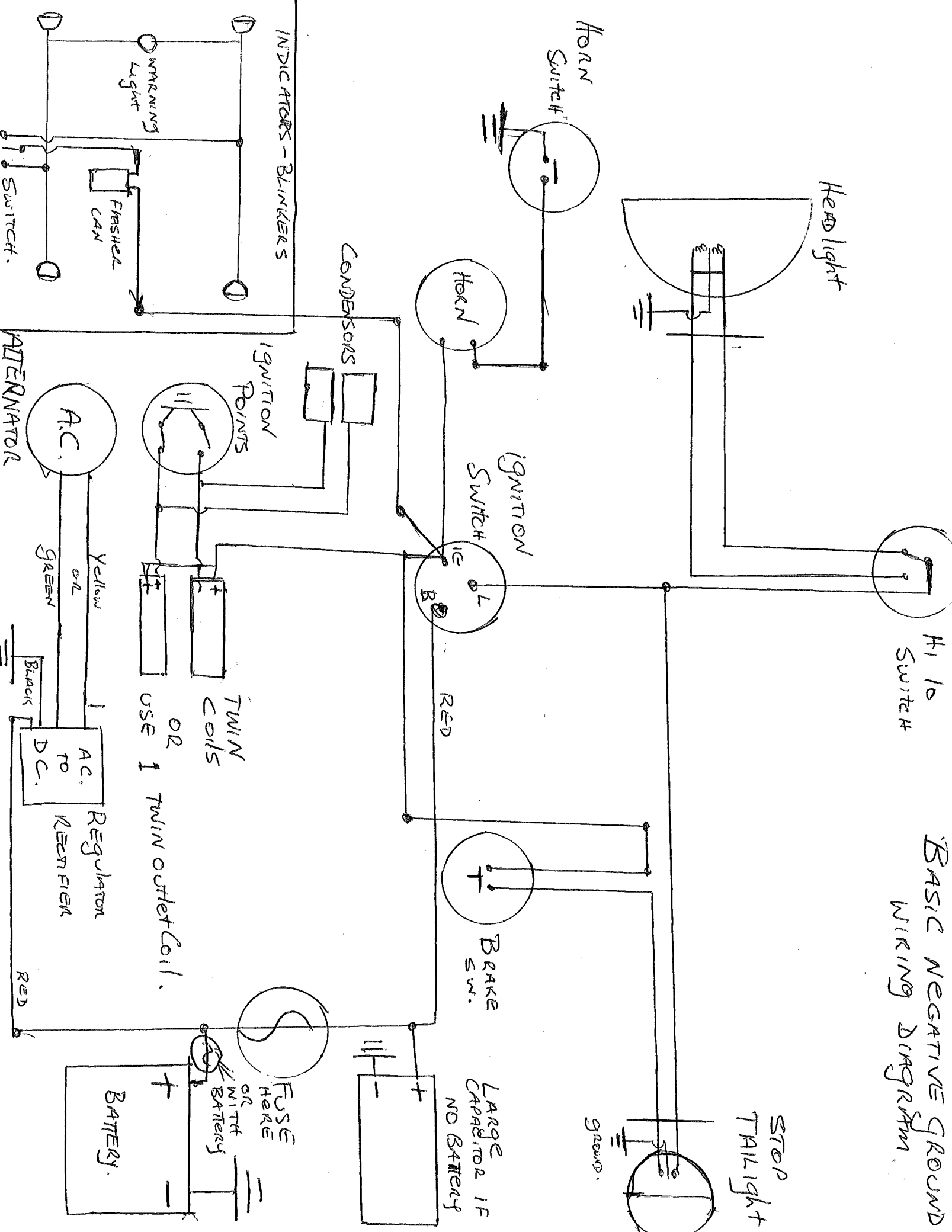


BASIC NEGATIVE GROUND WIRING DIAGRAM



H1/10
Switch

Head light

Horn

Switch

Horn

IGNITION
Switch

RED

BRAKE
SW.

LARGE
CAPACITOR IF
NO BATTERY

INDICATORS - BLINKERS

CONDENSORS

IGNITION
POINTS

TWIN
COILS
OR
TWIN outlet coil.

WARNING
Light

FLASHER
CAN

Switch.

ALTERNATOR

A.C.

Yellow
OR
Green

AC.
TO
D.C.
REGULATOR
RECTIFIER

Black

BATTERY.

FUSE
HERE
OR
WITH
BATTERY

STOP
TAILIGHT

Ground.